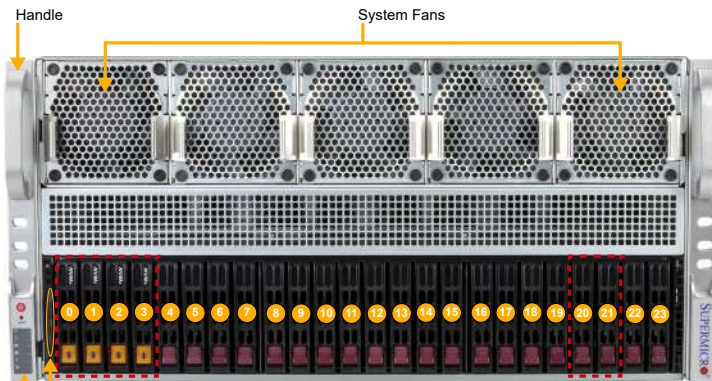
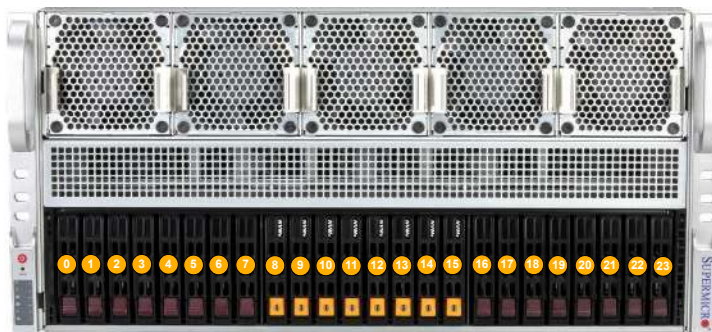


# SUPERMICR<sup>®</sup> SuperServer<sup>®</sup> AS -5126GS-TNRT/-TNRT2 Quick Reference Guide

## Front Features



AS -5126GS-TNRT



AS -5126GS-TNRT2

### Logical Storage Drive Numbers

System SKU	Item	Description
AS -5126GS-TNRT	0-3	Four hot-swap 2.5" NVMe drive bays
	20-21	Two hot-swap 2.5" SATA drive bays
AS -5126GS-TNRT-2	8-15	Eight hot-swap 2.5" NVMe drive bays
	20-21	Two hot-swap 2.5" SATA drive bays

For AS -5126GS-TNRT2, 0-7 is applied only to the 24x NVMe drive configuration.

### Expansion Slot Locations

System SKU	Item	Description
AS -5126GS-TNRT	1-4, 6, 9-12	PCIe 5.0 x16 (full-height, full-length)
	8	PCIe 5.0 x16 or x8 (full-height, full-length)
AS -5126GS-TNRT-2	1-13	PCIe 5.0 x16 (full-height, full-length)
	14	PCIe 5.0 x16 AIOM (OCP 3.0)

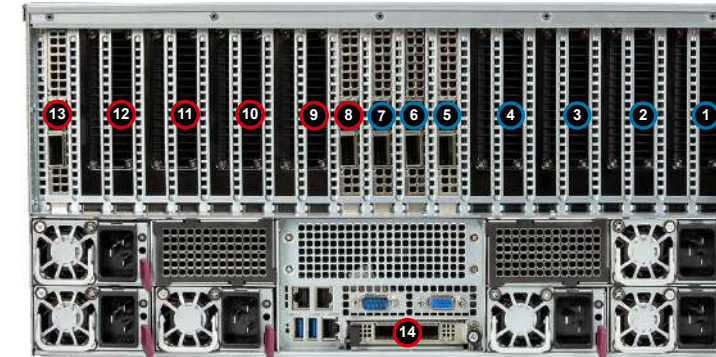
In AS -5126GS-TNRT, slot 8 supports PCIe lanes based on the NVMe drive bay configuration.

## Rear Features



Power Supplies (PWS1, PWS2, PWS3)

AS -5126GS-TNRT



Power Supplies (PWS4, PWS5, PWS6)

AS -5126GS-TNRT2

CPU1 CPU2

## I/O Panel



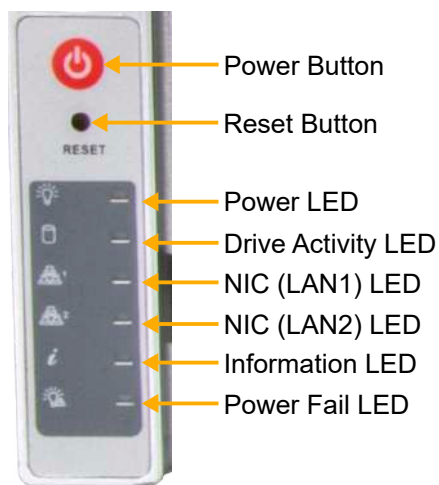
COM Port  
USB Ports  
LAN Ports  
VGA Port

### BMC Password

Each system comes with a unique default password for the ADMIN user. This can be found on a sticker on the motherboard and another on the chassis service tag. If necessary, the password can be reset.

For more information, please visit:  
<https://www.supermicro.com/en/solutions/management-software/bmc-resources>

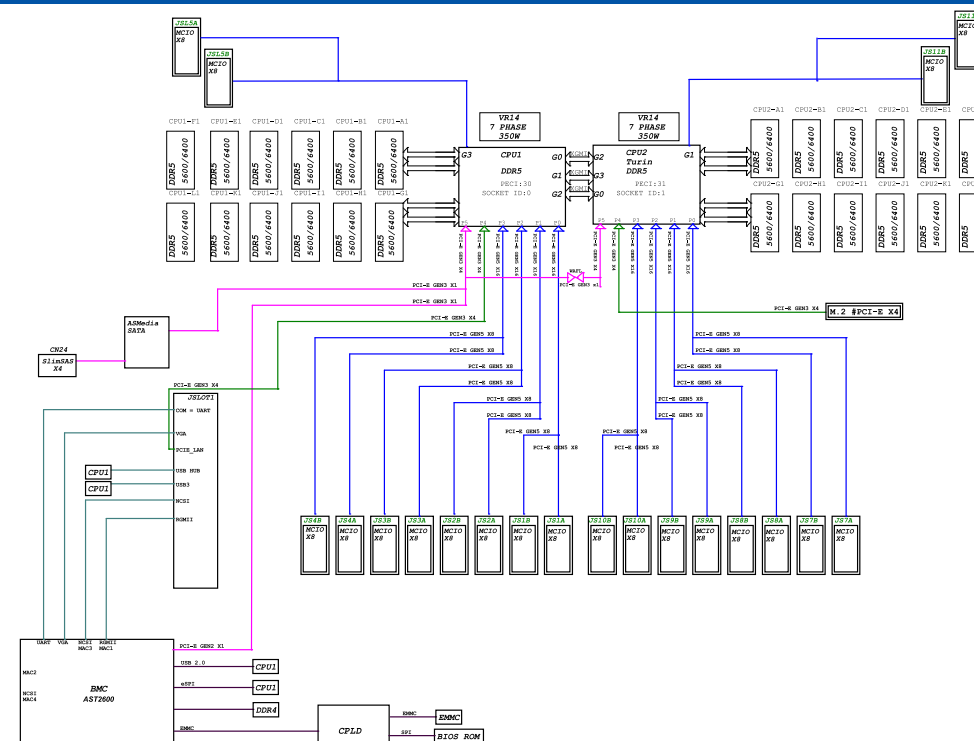
## Control Panel



### Information LED

Color, Status	Description
Red, solid	An overheat condition has occurred.
Red, blinking at 1 Hz	Fan failure, check for an inoperative fan.
Red, blinking at 0.25 Hz	Power failure, check for a non-operational power supply.
Red, solid, with Power LED blinking green	Fault detected.
Blue and red, blinking at 10 Hz	Recovery mode.
Blue, solid	UID has been activated locally to locate the server in a rack environment.
Blue, blinking at 1 Hz	UID has been activated via BMC to locate the server in a rack environment.
Blue, blinking at 2 Hz	BMC is resetting.
Blue, blinking at 4 Hz	BMC is setting factory defaults.
Blue, blinking at 10 Hz with Power LED blinking green	BMC/BIOS firmware is updating.

## System Block Diagram



## System Datasheet



AS -5126GS-TNRT



AS -5126GS-TNRT2